

Technical Specifications

- Capacity: From 500 kg to 250 tons
- Travel: 500 to 4000 mm
- Closed Height: 180 - 800 mm
- Length: 900 - 6000 mm
- Width: 650 - 3000 mm
- CE-Marked and comply with European Norms and Standards
- 2 Safety lock for maintenance
- Safety trip bar in aluminum
- Available in Ral Colors
- Large in-house lift table stock for immediate delivery



NOTE: ALL DETAILS CAN BE CUSTOMIZED FOR YOUR NEEDS

OndLift is biggest manufacturer company in Lifting Tables sector in Turkey and exporting 32 countries.

OndLift' s Lift Tables series, designed for high lifting capacities and performance of applications.

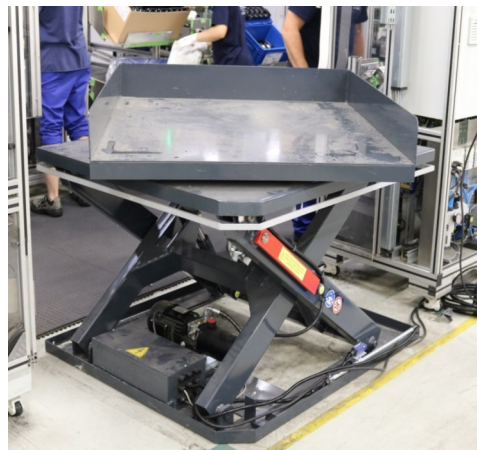
OndLift' s Lift Tables series can be the manufacturing with different kind of options, such as mobile base, load- ing flaps, guard rails, rollers. (for detailed information, please check Lift Table Accessories Datasheet).

OndLift' s Lift Table series, have a vital role to create ergonomic and safe working conditions. Can be the best selection of challenging situations, high lifting capacities, intense pace of work.

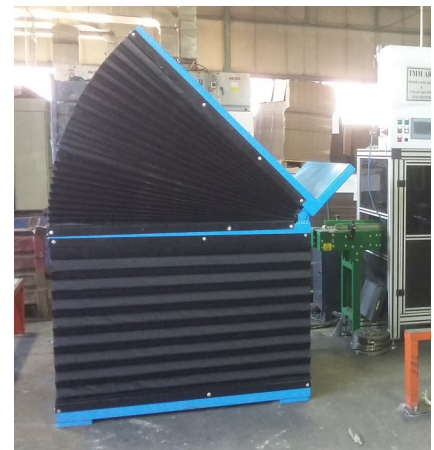
For more information www.ondlift.com



Heavy duty design



With turntable options.



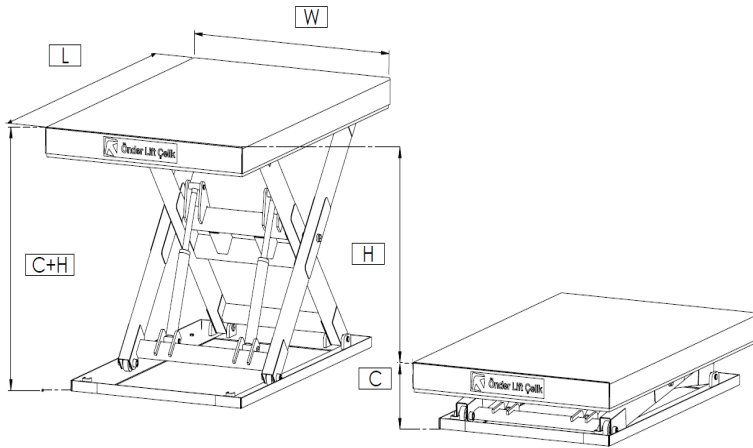
Including with curtain and tilting table.

Art No	Model	Capacity kg	Platform Dimension LxW mm x mm	Lift Stroke H mm	Closed Height C mm	Lift Time sec	Motor kW	Weight kg
45.05.001	ESP.1/05-06	500	950 x 600	600	180	8	0,75	140
45.05.002	ESP.1/05-09-1	500	1350 x 800	820	180	18	0,75	200
45.05.003	ESP.1/05-09-2	500	1350 x 1000	820	180	18	0,75	220
45.05.004	ESP.1/05-09-3	500	1500 x 1000	820	180	18	0,75	230
45.05.005	ESP.1/05-12	500	1800 x 1000	1200	230	32	0,75	250
45.10.100	ESP.1/10-06	1000	950 x 600	600	180	12	0,75	180
45.10.101	ESP.1/10-09-1	1000	1350 x 800	820	180	20	0,75	210
45.10.102	ESP.1/10-09-2	1000	1350 x 1000	820	180	20	0,75	230
45.10.103	ESP.1/10-09-3	1000	1500 x 1000	820	180	20	0,75	240
45.10.104	ESP.1/10-12	1000	1800 x 1000	1200	260	34	0,75	380
45.10.105	ESP.1/10-13	1000	2000 x 1200	1300	260	32	1,1	400
45.10.106	ESP.1/10-16	1000	2250 x 1500	1600	300	35	1,1	550
45.15.200	ESP.1/15-09-1	1500	1350 x 800	820	180	28	0,75	280
45.15.201	ESP.1/15-09-2	1500	1350 x 1000	820	180	28	0,75	290
45.15.202	ESP.1/15-09-3	1500	1500 x 1000	820	180	28	0,75	320
45.15.203	ESP.1/15-12	1500	1800 x 1000	1200	260	32	1,1	380
45.15.204	ESP.1/15-13	1500	2000 x 1200	1300	260	35	1,5	420
45.15.205	ESP.1/15-16	1500	2250 x 1500	1600	300	36	1,5	580
45.20.300	ESP.1/20-09-1	2000	1350 x 800	820	230	28	0,75	290
45.20.301	ESP.1/20-09-2	2000	1350 x 1000	820	230	28	0,75	300
45.20.302	ESP.1/20-09-3	2000	1500 x 1000	820	230	28	0,75	330
45.20.303	ESP.1/20-12	2000	1800 x 1000	1200	260	32	1,1	400
45.20.304	ESP.1/20-13	2000	2000 x 1200	1300	260	35	1,5	440
45.20.305	ESP.1/20-14	2000	2250 x 1500	1600	300	36	1,5	700
45.20.306	ESP.1/20-15	2000	2500 x 1500	1600	320	34	2,2	740
45.20.307	ESP.1/20-16	2000	3000 x 2000	2000	350	34	2,2	1100
45.30.400	ESP.1/30-09-1	3000	1350 x 800	820	300	20	2,2	380
45.30.401	ESP.1/30-09-2	3000	1350 x 1000	820	300	20	2,2	400
45.30.402	ESP.1/30-09-3	3000	1500 x 1000	820	300	20	2,2	420
45.30.403	ESP.1/30-12	3000	1800 x 1000	1200	300	26	2,2	490
45.30.404	ESP.1/30-13	3000	2000 x 1200	1300	320	32	2,2	560
45.30.405	ESP.1/30-16-1	3000	2250 x 1500	1600	320	32	2,2	700
45.30.406	ESP.1/30-16-2	3000	2500 x 1500	1600	350	45	2,2	780
45.30.407	ESP.1/30-20	3000	3000 x 2000	2000	350	50	2,2	1200

Art No	Model	Capacity kg	Platform Dimension LxW mm x mm	Lift Stroke H mm	Closed Height C mm	Lift Time sec	Motor kW	Weight kg
45.40.500	ESP.1/40-09-1	4000	1350 x 1000	820	300	22	2,2	500
45.40.501	ESP.1/40-09-2	4000	1500 x 1000	820	300	22	2,2	550
45.40.502	ESP.1/40-12	4000	1800 x 1000	1200	320	27	3	600
45.40.503	ESP.1/40-13	4000	2000 x 1200	1300	350	30	3	800
45.40.504	ESP.1/40-16-1	4000	2250 x 1500	1600	350	30	3	1100
45.40.505	ESP.1/40-16-2	4000	2500 x 1500	1600	400	40	4	1200
45.40.506	ESP.1/40-20	4000	3000 x 2000	2000	400	46	4	1600
45.50.600	ESP.1/50-09	5000	1500 x 1000	820	400	26	2,2	650
45.50.601	ESP.1/50-10	5000	1800 x 1000	1000	400	30	2,2	800
45.50.602	ESP.1/50-11	5000	2000 x 1200	1100	400	34	3	1000
45.50.603	ESP.1/50-13	5000	2250 x 1500	1300	400	34	3	1300
45.50.604	ESP.1/50-16	5000	2500 x 1500	1600	400	44	4	1500
45.50.605	ESP.1/50-20	5000	3000 x 2000	2000	400	56	4	1900
45.60.700	ESP.1/60-10	6000	1800 x 1000	1000	400	34	3	1100
45.60.701	ESP.1/60-11	6000	2000 x 1200	1100	400	38	3	1300
45.60.702	ESP.1/60-13	6000	2250 x 1500	1300	400	40	4	1600
45.60.703	ESP.1/60-16	6000	2500 x 1500	1600	400	48	4	1800
45.60.704	ESP.1/60-18	6000	3000 x 2000	1800	400	60	4	2200
45.80.800	ESP.1/80-11	8000	2000 x 1200	1100	500	38	4	1500
45.80.801	ESP.1/80-13	8000	2250 x 1500	1300	500	40	4	1800
45.80.802	ESP.1/80-16	8000	2500 x 1500	1600	600	48	5,5	2000
45.80.803	ESP.1/80-18	8000	3000 x 2000	1800	600	60	5,5	2600
45.100.900	ESP.1/100-15	10000	2500 x 1500	1500	600	48	5,5	2250
45.100.901	ESP.1/100-18	10000	3000 x 2000	1800	600	60	7,5	2800

* External power pack

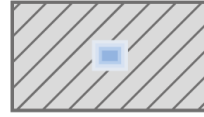
Technical Drawing



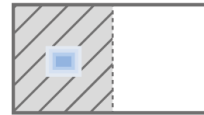
- L:** Platform Length
- W:** Platform Width
- C:** Closed Height
- H:** Stroke
- C + H:** Maximum Height

Load Factors Accordance with EN1570-1

Maximum load refers to the load being uniformly distributed over the entire platform area in accordance with EN 1570 the basic requirements are;



100 % of maximum load uniformly distributed over the entire platform.

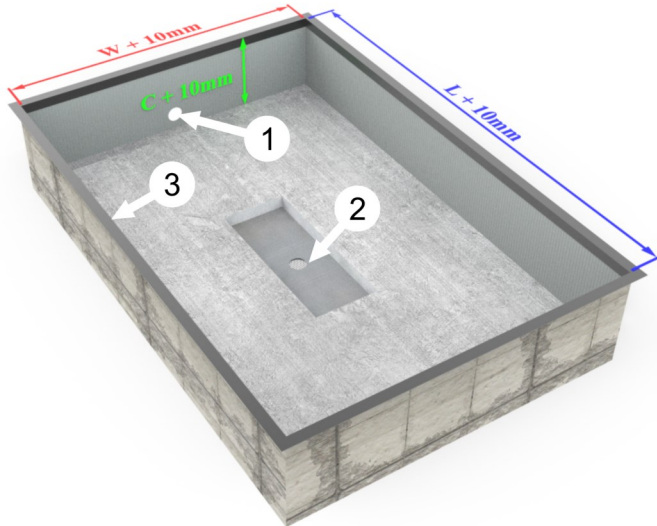


50 % of load weight uniformly distributed over half of the platform area lengthwise.



33 % of load weight uniformly distributed over half of the platform area sideways.

Standard Pit Details



When a lifting table is installed in a pit, the pit should be constructed according to the illustration on the left.

- W = Width of the platform
- L = Length of the platform
- H = Lowest height of the lift table

The pit's ballast material must at least meet the concrete classification C12/15.

The hydraulic power pack for lifting tables in an outdoor environment should, where possible, be externally located in a covered or indoor environment.

- 1- Pipe for incoming cables, 100 mm in diameter. The fixed side of the lift table.
- 2- Drainage holes where required. This is centre of the pit should be 80 mm.
- 3- L-shaped profile 100 x 100 mm to reinforce the pit edges.

ONDLIFT Mak. San. Tic. Ltd. Şti

Factory: Organize Sanayi Bolgesi 2004 Cad. No: 4
Turgutlu/Manisa/TURKEY

Showroom: İmes San. Sit. C.302 Sk. No:13
Y.Dudullu/Umraniye/Istanbul/TURKEY

Tel: 0090 236 332 5050

ondlift@ondlift.com

Product specifications are subject to change without any notice or obligation. The photographs and/or drawing in this documents are for illustrative purpose only. All productions of OndLift, manufacturing for CE standards.

Turkey
Discover the potential

Onder Lift Çelik



43rd Years Anniversary

Your warehouse partner

Onder Group Company